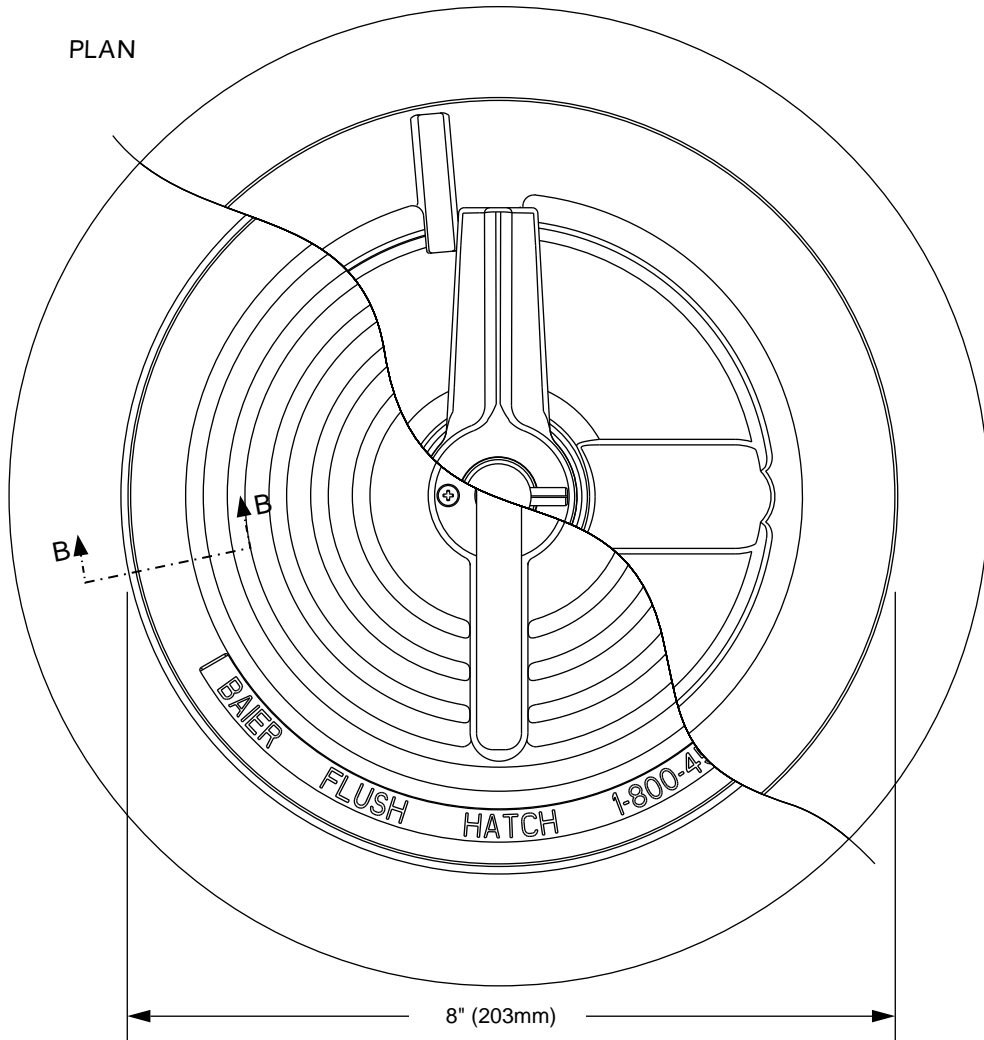


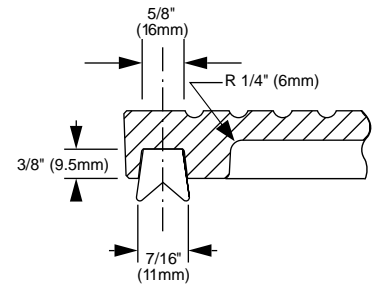
PLAN



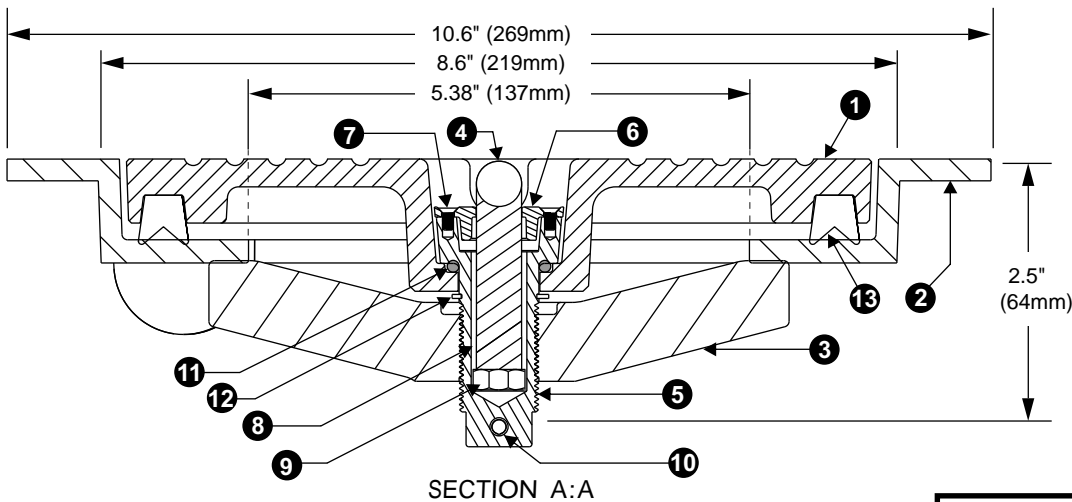
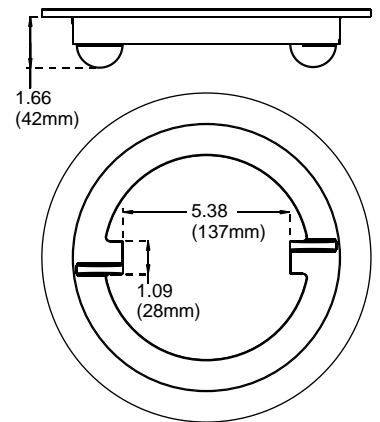
BILL OF MATERIAL: #670

PC.NO.	DESCRIPTION	MATERIAL
1	COVER	ALUMINUM ONLY
2	DECK RING	ALUMINUM
3	STRONGBACK	ALUMINIUM
4	T-HANDLE	STAINLESS STEEL
5	CENTER BOLT	STAINLESS STEEL
6	COVER PLATE	STAINLESS STEEL
7	PAN SCREW (X4)	S.S (M3 x .5)
8	SPRING PIN	S.S. (3 mm x 12 mm)
9	BOLT, M8	S.S. (M8 x 1.25)
10	SPRING PIN	S.S (5 mm x 35 mm)
11	O-RING	NEOPRENE
12	RETAINER RING	S.S. (22 mm)
13	GASKET	NEOPRENE

NOTE: *** CORROSION RESISTANT ALUMINUM, OR GALVANIZED STEEL



GASKET GROOVE, SECTION B:B



T-HANDLE STRONGBACK

HATCH WEIGHTS LBS. (KGMS)		
Model Number	BFHRT8	
Material	AL	ST
Cover	30 (13.6)	N/A
Deck Ring	11 (5)	11 (5)

BAIER Marine Company, Inc.
 1-800-455-3917
 206-632-2441 (FAX)
 sales@baiermarine.com

BAIER FLUSH HATCH
 LIFT-OUT PLAIN DOGGED TYPE
 WITH BUILT-IN T-HANDLE
 TYPE "C" POSITIVE LOCKING
 MODEL BFHRT8

DWG. NO. 670