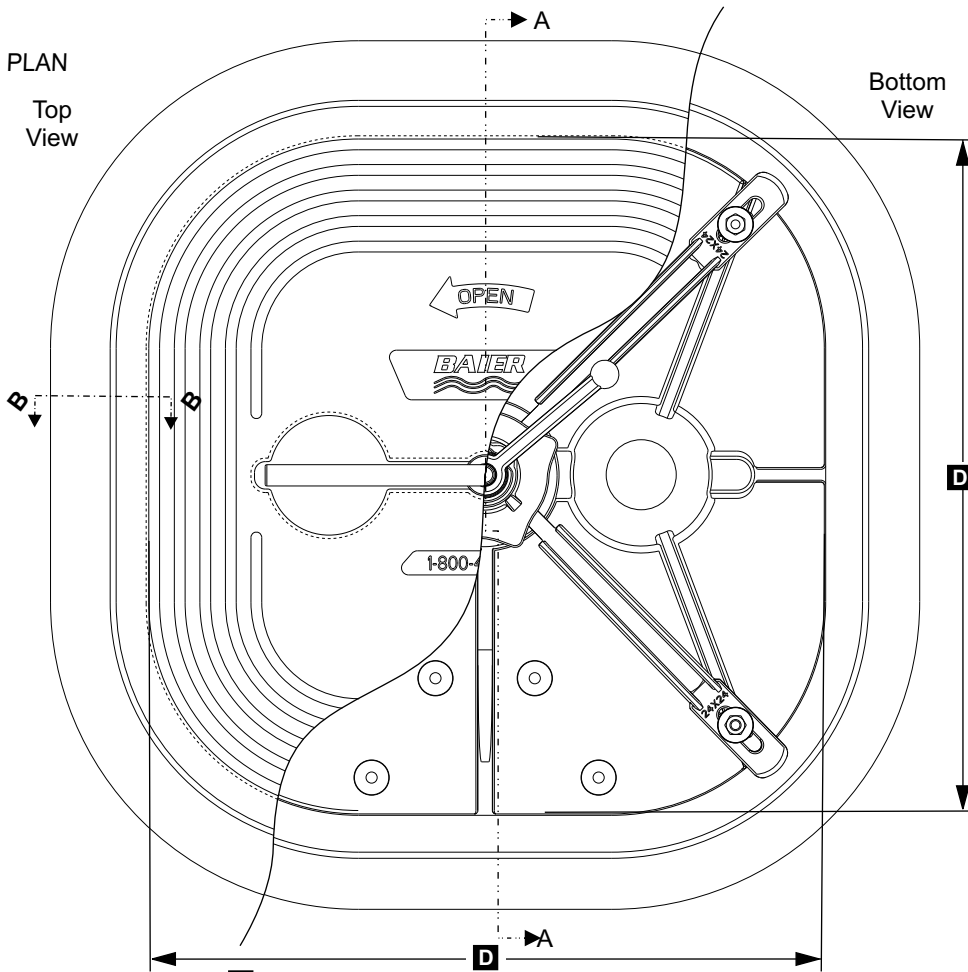


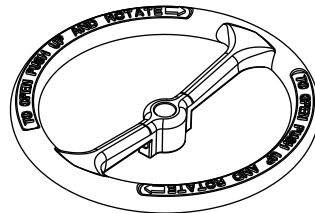
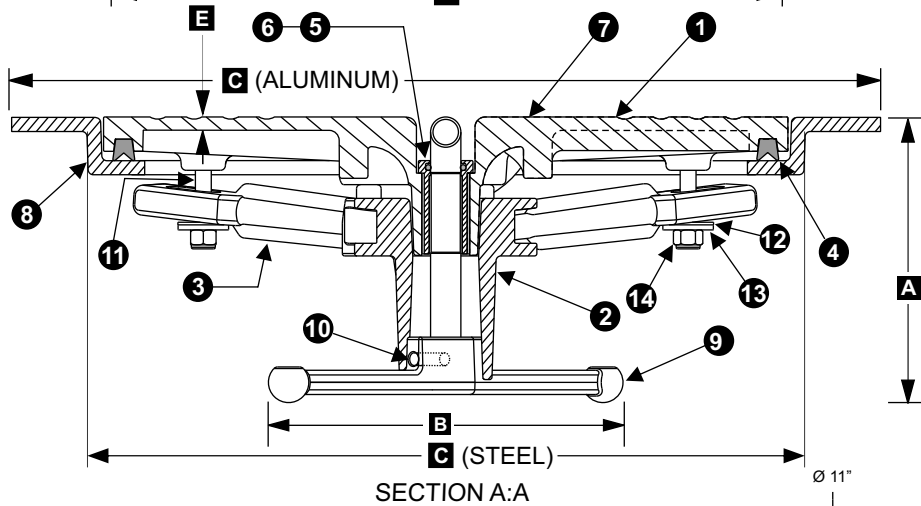
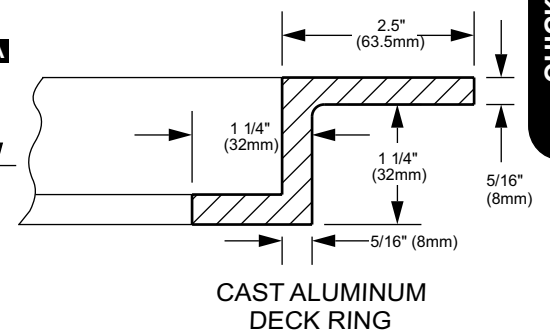
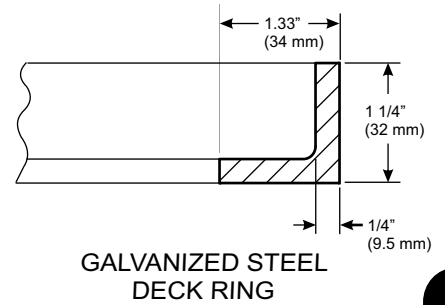
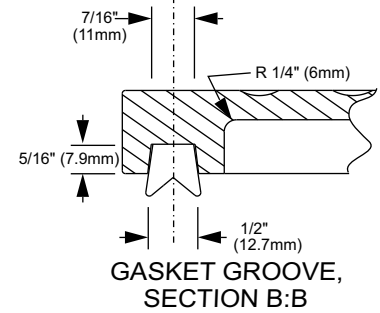
PLAN
Top
View



Bottom
View

BILL OF MATERIAL: #820		
PC.NO.	DESCRIPTION	MATERIAL
1	COVER	ALUMINUM ONLY
2	DOG HUB ASSY	ALUMINUM
3	DOG ARM	ALUMINIUM
4	GASKET	NEOPRENE
5	BUSHING	S.S. W/ NYLON INSRT
6	O-RING	NEOPRENE
7	T-HANDLE	STAINLESS STEEL
8	DECK RING	***
9	ESCAPE HANDLE	ALUMINIUM
10	HANDLE PIN	STAINLESS STEEL
11	THREADED POST	STAINLESS STEEL
12	WASHER	STAINLESS STEEL
13	WASHER	UHMW POLY
14	NYLOCK NUT	STAINLESS STEEL

NOTE: *** CORROSION RESISTANT ALUMINIUM, OR GALVANIZED STEEL



OPTIONAL: ESCAPE HANDWHEEL
(REPLACES ESCAPE HANDLE)

IMPORTANT: WHEN ORDERING, PLEASE SPECIFY
OUTSIDE DIAMETER (C) OR CLEAR OPENING (D).
UNITS ARE IDENTIFIED BY CLEAR OPENING.

HATCH WEIGHTS LBS. (KGMS)*		
Model Number	BFHQTH24X24	
Material	AL	ST
Cover	44 (20)	N/A
Deck Ring	12 (5.4)	15 (6.8)

Model Number	DIMENSIONS INCHES (mm)					
	A	B	C (ST)	C (AL)	D	E
BFHQTH20	7 1/16 (179)	12 (305)	26 11/16 (677)	30 1/2 (774)	24 (610)	5/16 (8)

QUICK
ACTING



1-800-455-3917
206-632-2441 (FAX)
sales@baiermarine.com

BAIER FLUSH HATCH
LIFT-OUT MULTI-DOGGED TYPE
WITH BUILT-IN T-HANDLE
TYPE "D" QUICK ACTING
POSITIVE LOCK
MODEL BFHQTH24X24

DWG. NO.820